



MADE TO BE GREAT

 DEKO

# Contents

<b>05</b>	<b>Made to be great</b>
<b>06</b>	<b>Freedom of choice</b>
<b>08</b>	<b>Sound reduction</b>
<b>10</b>	<b>Fire classification</b>
<b>12</b>	<b>Wood species</b>
<b>14</b>	<b>Same design</b>
<b>16</b>	<b>Joints</b>
<b>18</b>	<b>Glass framed door</b>
<b>20</b>	<b>Panel door</b>

# Made to be great



Naturally, we are proud of Tré. But we've long realised: It truly gains value when integrated with architecture. Until that point, Tré is merely building blocks, components for interior construction. However, when others take it further, use it creatively, shape it and bring it to life, Tré transforms from a functional product to something much larger. In that moment, we can truly stand tall as we witness others creating something great from what we have originated.



# Tré

## **Uncompromising freedom.**

Although the name Tré is Old Norse, this glazed partition with wooden profiles represent something of a breakthrough. Unlike many existing glazed partitions with wooden profiles on the market, we have managed to create a product where no compromise is required.

Tré offers you not just an option that's fire and sound classified, sustainable, and aesthetically pleasing. It is also extremely flexible. This gives you the freedom to create the space you desire. Without compromising on safety or aesthetics.





**Less  
sound.**

**More  
light.**

SOUND REDUCTION

**Up to Rw 50 dB  
for the partition**

**Up to Rw 40 dB  
for the door**

The glazed partition with discreet wooden profiles serves a dual purpose: It keeps sound out while allowing light in. Thus, you can create a serene, undisturbed space while simultaneously maintaining an open and welcoming atmosphere – where daylight is always welcome.



# All fired up.

When we developed Tré, we put on our sceptical glasses and imagined all the negative possibilities that could occur. Then we tested the glazed partition with wooden profiles in various orientations. This approach ensures that you not only receive a product that looks impressive in any room but also performs well on paper, being both thoroughly tested and well-documented. This is how well things can go when you're prepared for them to go wrong.

FIRE CLASSIFICATION

# Up to EI 60

SMOKE CLASSIFICATION

# Up to Sa4 S200-C

# The material is nature's. The choice is yours.

Oak, ash, or pine? Untreated or veneer? You can find Tré in nearly every type of wood imaginable. And with all sorts of finishes, from oil to varnish.



## Pine

Pine is a fast-growing wood that is quite affordable. Yet you can make it look luxurious by opting to combine it with veneer, for example.



## Oak

Oak has been extensively used over time, especially for Danish furniture classics. And it remains very popular when choosing a wood that is both attractive and durable. Available as veneer too.



## Unsorted wood

The most sustainable choice is of course to select materials based on circular principles. Therefore, Tré is also available in recycled wood from the window industry.



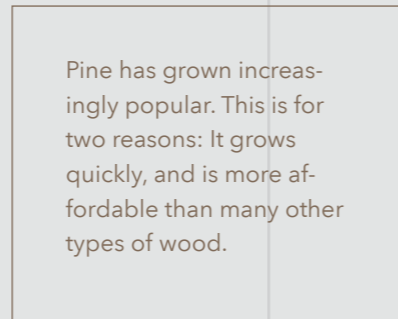
## Ash

The Latin term for ash tree is Fráxinus, which translates to 'Viking ship'. But this wood type also looks very appealing in a modern context. Available as veneer too.



## Black

With black-stained wood, you achieve profiles that have a less raw and natural look compared to untreated wood.

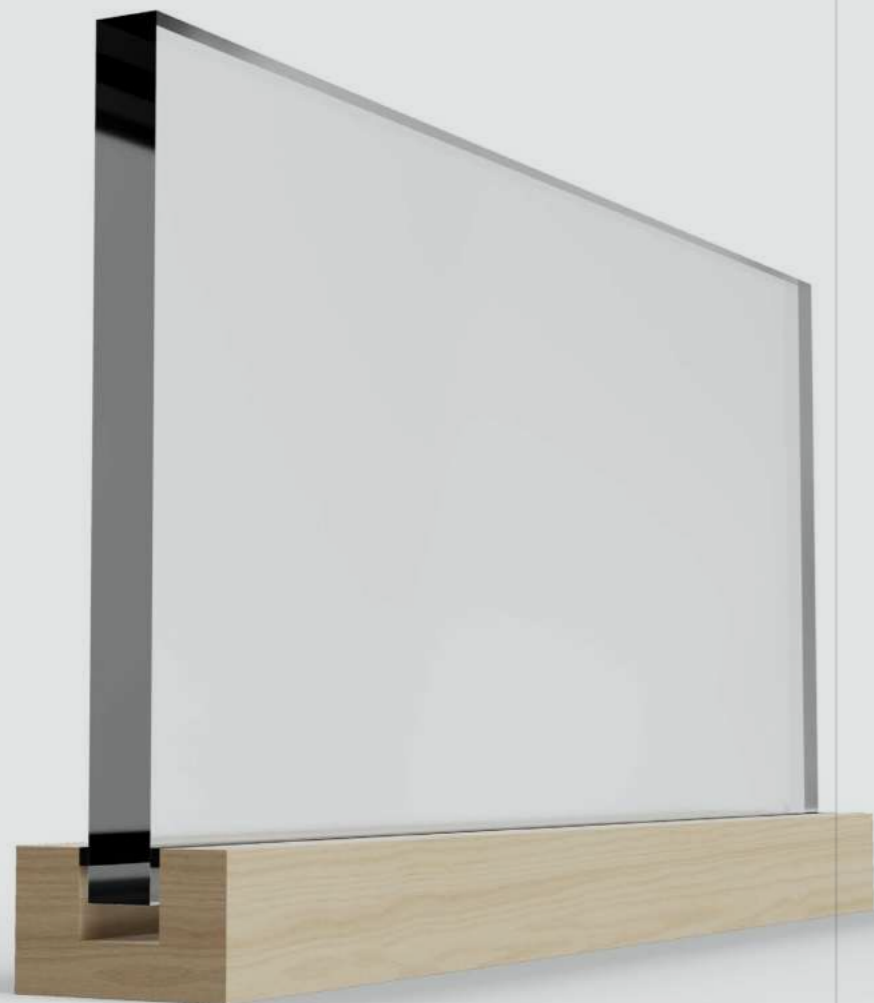


Pine has grown increasingly popular. This is for two reasons: It grows quickly, and is more affordable than many other types of wood.



# Same simple design.

One of the revolutionary features of Tré is that you don't need to compromise on aesthetics just because there are specific requirements to meet. Whether you opt for sound- and fire-rated designs, you get the exact same appearance.



Unclassified

# Regardless of fire and sound requirements.



Fire classified



# One product. Four different joints.



SOUND CLASSIFICATION

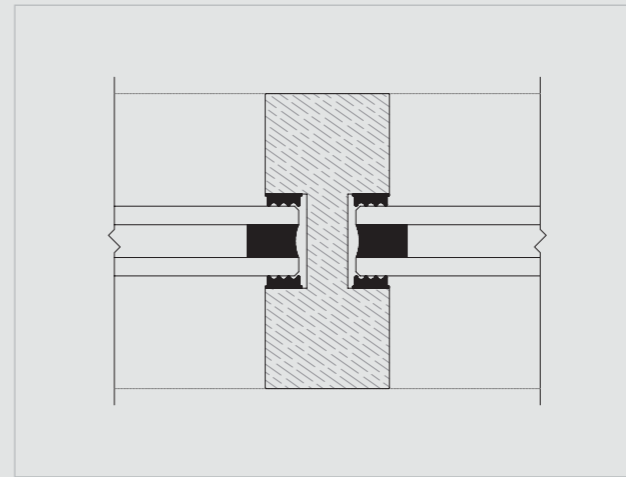
**Up to Rw 50 dB for partition**

FIRE CLASSIFICATION

**Up to EI 60 for partition**

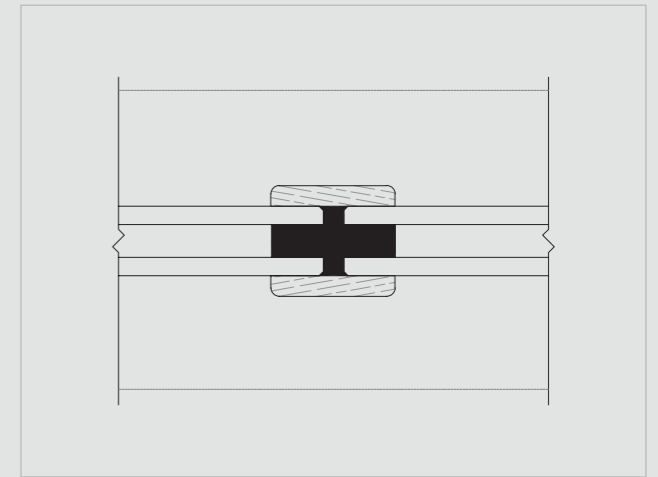
Partition height up to 4 m, depending on fire and sound requirements.

Post profile? Glazing bar profile? Black? Or Clear? The joint between the glazed panels depends on the look you desire and your sound and fire requirements.



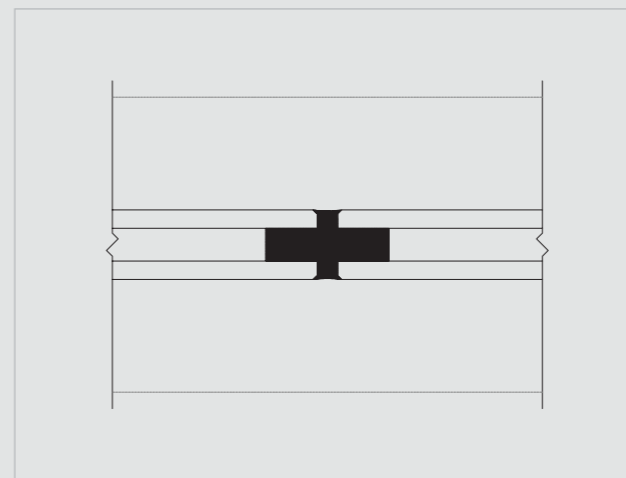
## 1. Post profile

A solid wooden post between the glazed panels gives the glazed partition a robust look.



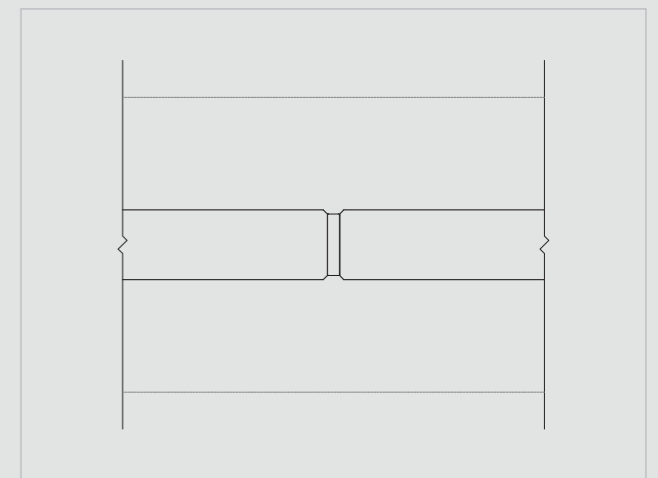
## 2. Glazing bar profile

Glazing bar profile in wood veneer on a pine or solid wood core. It is installed externally over a joint tape joint, but it can be installed anywhere on the glass as desired.



## 3. Black

Vertical black silicone joint that matches a black frame with sound- or fire-rated glass.

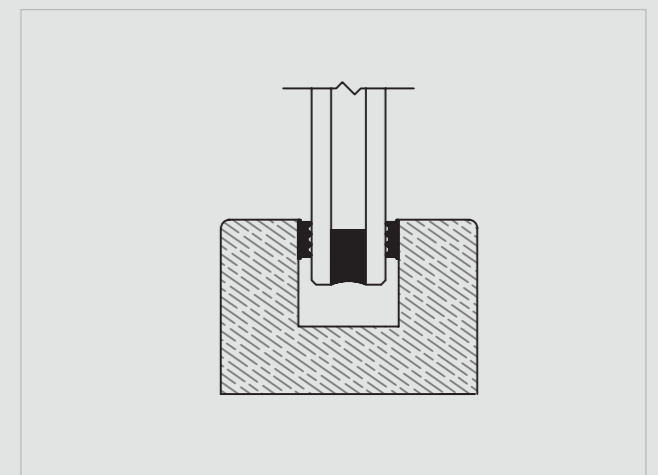


## 4. Clear

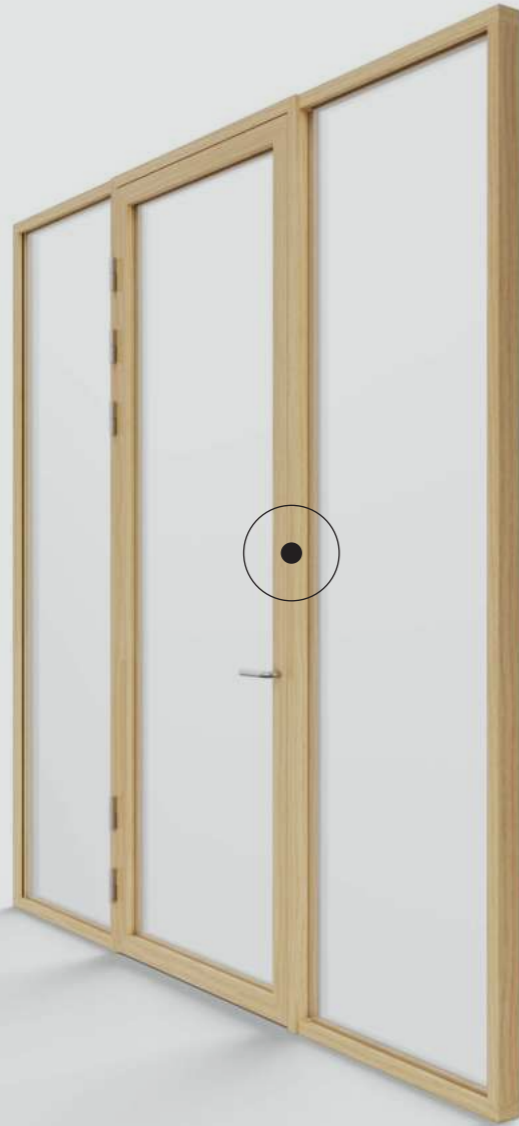
Glass joint tape that provides a stable and soundproof partition with an almost invisible, prefabricated joint.

## Edge profile

Tré does not have the typical glass mouldings. Instead, the profiles clamp directly around the glass along its entire edge.



# Door in glass and frame.



Full-height single glass framed door



Full-height double glass framed door



Double glass framed door with top panel



Single glass framed door with top panel



Single glass framed door with jointed top panel

## SOUND CLASSIFICATION


**Up to Rw 35 dB for door**

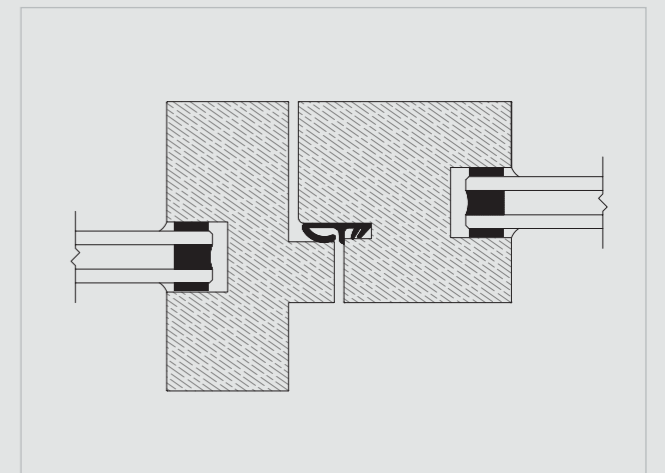
## FIRE CLASSIFICATION

**Up to EI 60 for door**

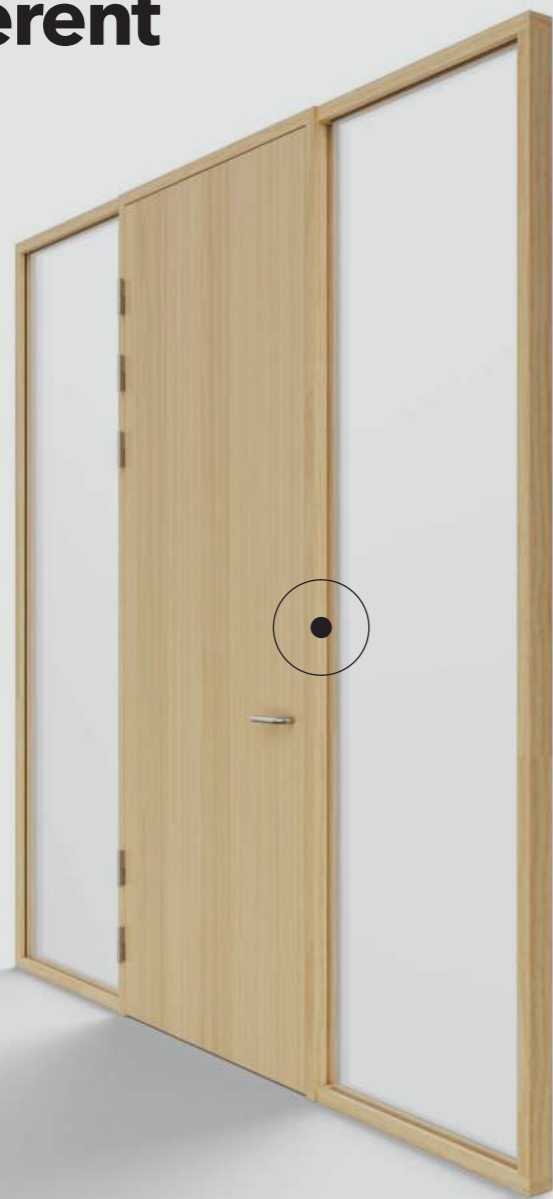
Door size up to 11x31 M.  
Up to 4 m including the top panel,  
depending on door requirements.

One unique feature of the DEKO Tré is that the door frame and casing join at a 45-degree angle, providing the glass framed door with a minimalist and elegant finish. It's up to you to decide how much space the door should occupy. And how it should enhance the room with its design.

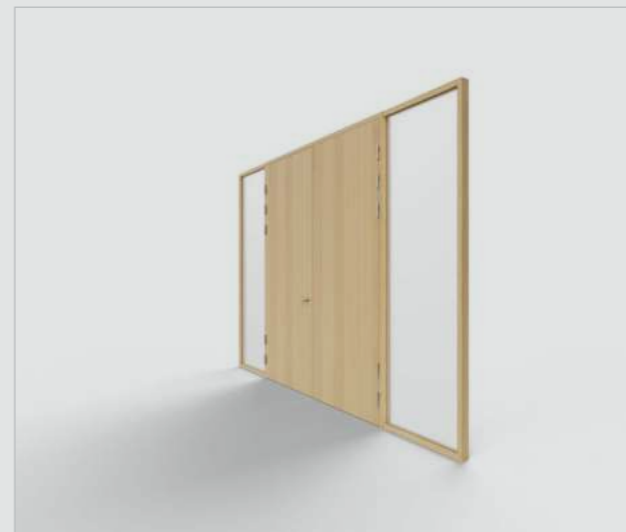
 Detail drawing



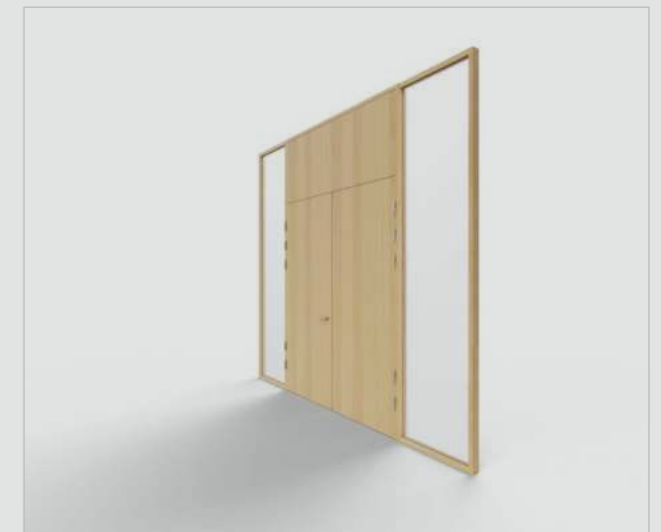
# The panel door in five different styles.



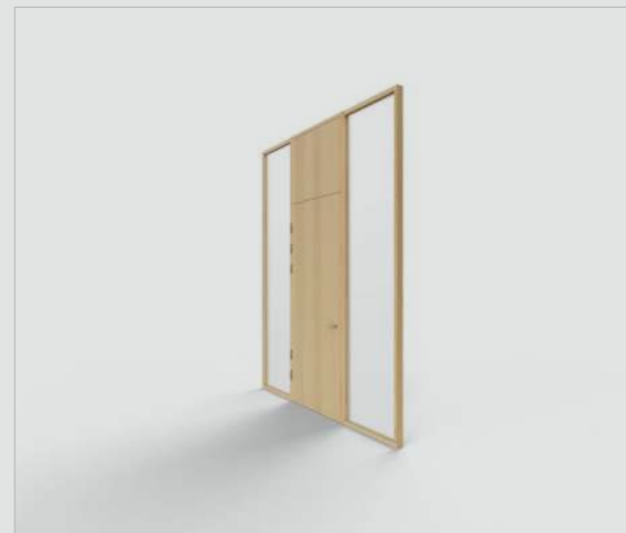
Full-height single panel door



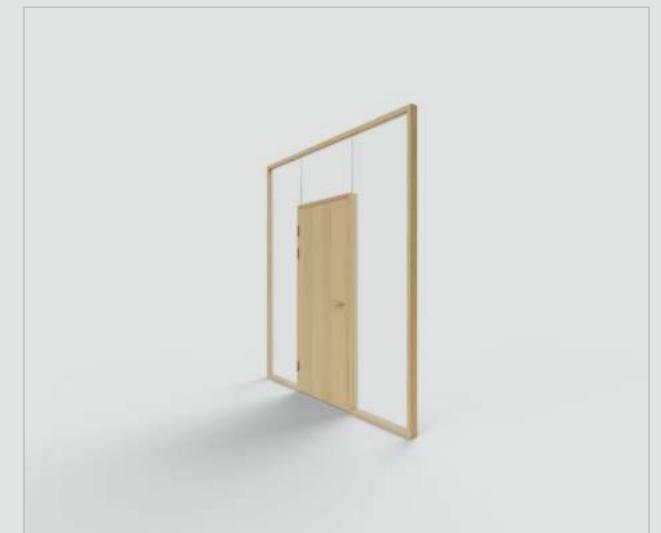
Full-height double panel door



Double panel door with top panel



Single panel door with top panel



Single panel door with jointed top panel

## SOUND CLASSIFICATION


**Up to Rw 40 dB for door**

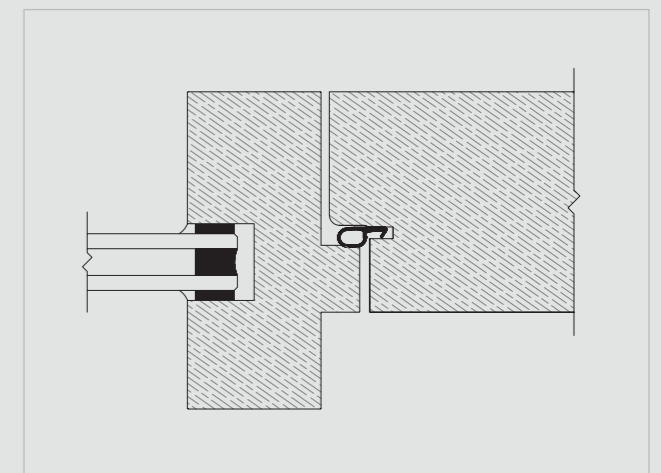
## FIRE CLASSIFICATION

**Up to EI 30 for door**

Door size up to 11x33 M.  
Up to 4 m including the top panel,  
depending on door requirements.

There are several reasons to choose a panel door. One of them is its aesthetic appeal. When the glass is suddenly interrupted by the tactile surface of wood, the resulting look is truly distinctive. And you naturally decide whether your door should be single or double; with or without a top panel.

 Detail drawing





**Visit our  
showroom and  
experience Tré.**

Contact our advisor at

Maarkaervej 11  
DK-2630 Taastrup  
Tel:+45 43 55 77 11  
info@deko.com

tre.deko.com